



**INSTRUCTION MANUAL**  
**DNS25**  
**25A Day/Night Sensor**



## 1. Introduction

The DNS25 Day/Night Sensor can automatically activate lights at dusk and deactivate them at dawn. It is not only convenient but also practical; it can control the lighting loads by working only at night and comes with an adjustable lux knob to adjust light intensity. Examples of use are street lights, office lights, warehouse and factory lights, garden lights, etc.

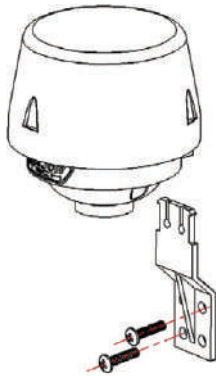
## 2. Specifications

Function	Range
Power Source	220 to 240V AC
Rated Current	25A
Power Frequency	50/60Hz
Working Temperature	-20°C to 40°C

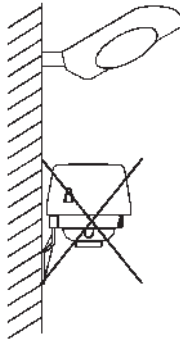
Function	Range
Ambient Light	<5 to 50 LUX (Adjustable)
Working Humidity	<93%RH
Ingress Protection	IP54
Warranty	5 Years - Limited

## 3. Installation

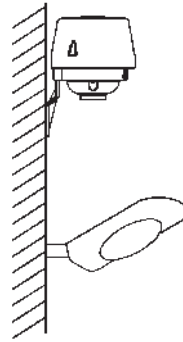
- To Install the DNS25 to a flat surface, connect the plastic bracket to the photocell's main body as indicated in Figure A. For pole mounting a gland or conduit connector can be screwed into the base of the sensor.
- Ensure the DNS25 is installed above the light fitting as indicated in the diagram below.
- Ensure power is switch off.
- Connect the wires as per the wiring diagram.



FIGURE

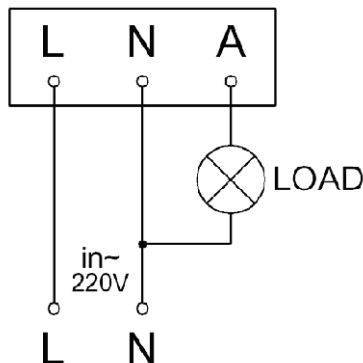


INCORRECT



CORRECT

## 4. Wire Connection Diagram



## 5. Test

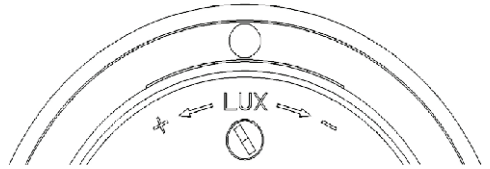
- Switch the power on
- Place the enclosed black plastic bag in the packing over the opaque (white) cover
- With the bag covering the photocell which is situated under the opaque (white) cover, thus simulating darkness, this then automatically turns the lamp on
- When the bag is removed from the opaque cover, it turns the lamp off automatically

### Note:

- In order for natural light control the photocell, there should be no obstruction in front of the opaque (white) cover.
- No moving or swaying objects must be in front of the photocell.
- There is no minimum load requirement when linking devices to our sensors. However, it is crucial to ensure that the load of the devices being connected is below the suggested specifications as outlined in the manual and packaging. Please be aware that exceeding the specified specifications may result in damage to the sensor.

### Note:

On and off levels can be set with the adjustable LUX knob which can adjust the light intensity to which the photocell will operate. When you turn LUX knob clockwise to (-) position, the LUX can be set to less than 5LUX, when turning LUX knob anticlockwise to (+) position, the LUX can be set to a maximum of 50LUX.





---

## ***MAJOR TECH (PTY) LTD***

**South Africa**

 [www.major-tech.com](http://www.major-tech.com)

 [sales@major-tech.com](mailto:sales@major-tech.com)

**Australia**

 [www.majortech.com.au](http://www.majortech.com.au)

 [info@majortech.com.au](mailto:info@majortech.com.au)

