



INSTRUCTION MANUAL

MT694

INFRARED THERMOMETER WITH MULTIPOINT LASER



Contents	Page no
1. Introduction.....	4
2. Features.....	4
3. Wide Range Application.....	4
4. Safety.....	4
5. Description.....	5
5.1. Meter Description.....	5
5.2. Symbols Used on LCD Display.....	5
5.3. Buttons.....	6
6. Distance & Spot Size.....	6
7. Functional Design.....	6
8. MODE Button Function.....	7
9. Measurement Operation.....	7
10. Battery Replacement.....	8
11. Notes.....	8
11.1. How it Works.....	8
11.2. Field of View.....	8
11.3. Distance & Spot Size.....	8
11.4. Locating a hot Spot.....	8
11.5. Reminders.....	8
11.6. Emissivity.....	9
12. Maintenance.....	9
13. Emissivity Values.....	9
14. Specifications.....	10
14.1. Type-K Temperature.....	10
14.2. IR Temperature.....	10

1. INTRODUCTION

- Thank you for purchasing the MT694 IR Thermometer. This instrument is capable of non-contact (Infrared) temperature measurements at the touch of a button. The built-in laser pointer increases target accuracy while the backlight LCD and handy push-buttons combine for convenient, ergonomic operation.
- The MT694 Non-contact Infrared Thermometers can be used to measure the temperature of objects surface that is improper to be measured by traditional (Contact) thermometer (Such as moving object, the surface with electricity current or the objects which are not possible to be touched).
- Proper use and care of this meter will provide years of reliable service.

2. FEATURES

- Rapid detection function
- Precise non-contact measurements
- Circular laser sighting
- Unique flat surface, modern housing design
- IP54 rated for dust/waterproof
- 2 meter drop tested
- Automatic Data Hold
- Emissivity Digitally adjustable from 0.10 to 1.0
- MAX, MIN, AVG, DIF temperature displays
- Backlight LCD display
- Automatic selection range and Display Resolution 0.1°C (0.1°F)
- Set high and low alarms
- Type-K input

3. WIDE RANGE APPLICATION

Food preparation. Safety and Fire inspectors. Plastic molding, Asphalt. Marine and Screen printing, measure ink and Dryer temperature, HVAC/R, Electrical, Diesel and Fleet maintenance.

4. SAFETY

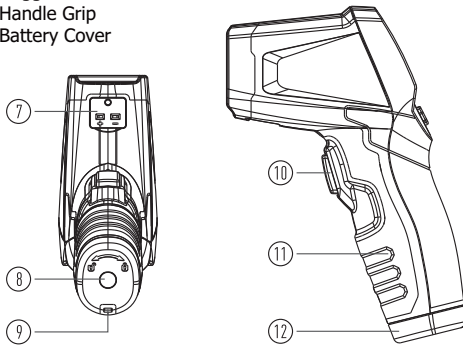
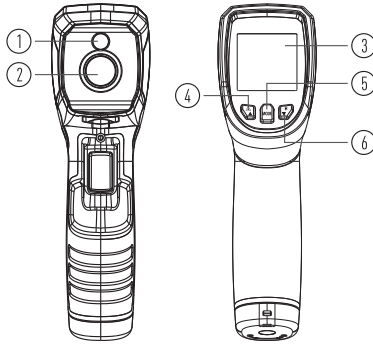
- Use extreme caution when the laser beam is turned on.
- Do not let the beam enter your eye, another person's eye or the eye of an animal.
- Be careful not to let the beam on a reflective surface strike your eye.
- Do not allow the laser light beam impinge on any gas which can explode.



5. DESCRIPTION

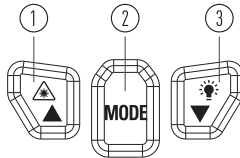
5.1. Meter Description

- 1 - Laser Hole
- 2 - IR Sensor
- 3 - LCD Display
- 4 - UP/Laser Button
- 5 - Mode Button
- 6 - Down/Backlight Button
- 7 - TYPE-K Input
- 8 - Triangular Bracket Fixed Hole
- 9 - Lanyard Hole
- 10 - Measurement Trigger
- 11 - Handle Grip
- 12 - Battery Cover



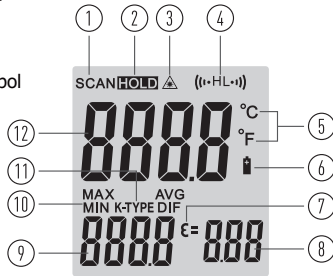
5.2. Buttons

- 1 - Up Button (for EMS, HAL, LAL)
- 2 - Down Button (for EMS, HAL, LAL)
- 3 - MODE Button (for cycling through the mode loop)



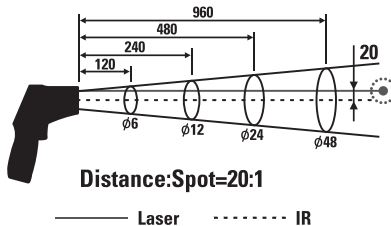
5.3. Symbols Used on LCD Display

- 1 - Scan Symbol
- 2 - Data Hold
- 3 - Laser "ON" Symbols
- 4 - High Alarm and Low Alarm Symbol
- 5 - °C/°F Symbol
- 6 - Low Power Symbols
- 7 - Emissivity Symbol
- 8 - Emissivity Value
- 9 - Temperature values for the MAX/MIN/DIF/AVG/Type-k
- 10 - Symbols for MAX/MIN/DIF/AVG
- 11 - Symbol for Type-K
- 12 - Current Temperature Value



6. DISTANCE & SPOT SIZE

- As the distance (D) from the object increases, the spot size (S) of the area measured by the unit becomes larger.
- The relationship between distance and spot size for each unit is listed below.
- The spot sizes indicate 90% encircled energy.

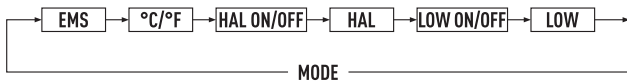


7. FUNCTIONAL DESIGN

1. Press the up and down key to adjust the Emissivity.
2. Press the up key to turn the laser on or off and the down key to turn the backlight on or off.
3. Press the MODE button to change MAX/MIN/DIF/AVG.
4. In the measuring time, if the Type-K thermocouple is connected, the Type-K data will displays in the lower left quarter automatically. In this time, cannot change MAX/MIN/DIF/AVG.
5. To set values for the High Alarm (HAL), Low Alarm (LAL) and Emissivity (EMS), press and hold the MODE button until the appropriate code appears in the display, press the UP and DOWN buttons to adjust the desired values.

8. MODE BUTTON FUNCTION

- Pressing the mode button also allows you to access the set state, Emissivity (EMS), °C/°F, HAL on/off, HAL adjustment, LAL on/off, and LAL adjustment. Each time you press the set key you advance through the mode cycle.
- The diagram shows the sequence of functions in the mode cycle.
- EMS adjustment. The Emissivity (EMS) digitally Adjustable from 0.10 to 1.0.



°C/F.

Press the up/down button to change the temperature unit (°C or °F)

HAL/LAL on/off. Press the up button or down button to turn on or off. Press the Measurement Trigger to confirm the High/Low alarm mode. HAL/LAL adjustment, the High/Low alarm adjustable form -50 to 1000°C (-58 to 1832°F).

MAX MIN DIF AVG indicates the MAX MIN DIF AVG which is recorded by pressing and releasing the "ON/OFF" button each time.

MAX MIN DIF AVG display

MAX = maximum .Maximum value of measurement.

MIN = minimum. Minimum value of measurement.

DIF = difference. Difference value of measurement.

AVG = average. Average value of measurement.

9. MEASUREMENT OPERATION

1. Hold the meter by its Handle Grip and point it towards the surface needing to be measured.
2. Pull and hold the Trigger to turn the meter on and begin testing. The display will light up if the battery is good. Replace the battery if the display does not light up.
3. Release the Trigger and the HOLD display icon will appear on the LCD indicating that the reading is being held. In HOLD status, press the UP button to turn on or off the laser. And press the DOWN button to turn on or off the backlight.
4. The meter will automatically power down after approximately 10 seconds after the trigger is released.

Note: Measurement considerations

- Holding the meter by its handle, point the IR Sensor towards the object

whose temperature is to be measured. The meter automatically compensates for temperature deviations from ambient temperature. Keep in mind that it will take up to 30 minutes to adjust to wide ambient temperatures to be measured followed by high temperature measurements, some time (several minutes) is required after the low (and before the high) temperature measurements are made.

- This is a result of the cooling process, which must take place for the IR sensor.

10. BATTERY REPLACEMENT

1. If the battery power is not sufficient the LCD will display "♻" replace with 2xAAA batteries.
2. Open the battery cover to replace the batteries in the instrument. Close the cover to carry on using the instrument.



11. NOTES

11.1. How it Works

Infrared thermometers measure the surface temperature of an object. The unit's optics sense emitted, reflected, and transmitted energy, which is collected and focused onto a detector. The unit's electronics translate the information into a temperature reading, which is displayed on the unit. In units with a laser, the laser is used for aiming purposes only.

11.2. Field of View

Make sure that the target is larger than the unit's spot size. The smaller the target, the closer you should be to it. When accuracy is critical, make sure the target is at least twice as large as the spot size.

11.3. Distance & Spot Size

As the distance (D) from the object increases, the spot size (S) of the area measured by the unit becomes larger.

11.4. Locating a hot Spot

To find a hot spot aim the thermometer outside the area of interest. then scan across with an up and down motion until you locate hot spot.

11.5. Reminders

1. Not recommended for use in measuring shiny or polished metal surfaces (stainless steel, aluminum, etc.). See Emissivity.
2. The unit cannot measure through transparent surfaces such as

glass. It will measure the surface temperature of the glass instead.

3. Steam, dust, smoke, etc., can prevent accurate measurement by obstructing the unit's optics.

11.6. Emissivity

Emissivity is a term used to describe the energy-emitting characteristics of materials. Most (90% of typical applications) organic materials and painted or oxidized surfaces have an emissivity of 0.95 (pre-set in the unit). Inaccurate readings will result from measuring shiny or polished metal surfaces. To compensate, cover the surface to be measured with masking tape or flat black paint. Allow time for the tape to reach the same temperature as the material underneath it. Measure the temperature of the tape or painted surface.

12. MAINTENANCE

- Repairs or service are not covered in this manual and should only be carried out by a qualified technician.
- Periodically, wipe the body with a dry cloth. Do not use abrasives or solvents on this instrument.
- For service, use only manufacturer's specified parts.

13. EMISSIVITY VALUES

Substance	Thermal Emissivity	Substance	Thermal Emissivity
Asphalt	0.90 to 0.98	Cloth (black)	0.98
Concrete	0.94	Human skin	0.98
Cement	0.96	Leather	0.75 to 0.80
Sand	0.90	Charcoal (powder)	0.96
Earth	0.92 to 0.96	Lacquer	0.80 to 0.95
Water	0.92 to 0.96	Lacquer (matt)	0.97
Ice	0.96 to 0.98	Rubber (black)	0.94
Snow	0.83	Plastic	0.85 to 0.95
Glass	.90 to 0.95	Timber	0.90
Ceramic	0.90 to 0.94	Paper	0.70 to 0.94
Marble	0.94	Chromium oxides	0.81
Plaster	0.80 to 0.90	Copper oxides	0.78
Mortar	0.89 to 0.91	Iron oxides	0.78 to 0.82
Brick	0.93 to 0.96	Textiles	0.90

14. SPECIFICATIONS

14.1. Type-K Temperature

Function	Range
Range	-50°C to 1370°C (-58°F to 2498°F)
Display Resolution	0.1°C (0.1°F) < 1000; 1 °C (1°F) > 1000
Accuracy	±2°C (3.6°F) at -50°C to 0°C (-58°F to 32°F) ±0.5% of Reading ±1.5°C (3°F) at 0°C to 1370°C (32°F to 2498°F)

14.2. IR Temperature

Function	Range
Range	-50°C to 1000°C (-58°F to 1832°F)
D:S	20:1
Display Resolution	0.1°C (0.1 °F) < 1000; 1°F > 1000
Accuracy	Assumes ambient operating temperature of 23°C to 25°C (73°F to 77°F) ±3.5°C (6.3°F) at -50°C to 20°C (-58°F to 68°F) ±1.0% ± 1.0°C (1.8°F) at 20°C to 300°C (68°F to 572°F) ± 1.5% at 300°C to 1000°C (572°F to 1832°F)
Repeatability	-50°C to 20°C (-31°F to 68°F): ±1.8°C (3.2°F) 20°C to 1000°C (68°F to 1832°F): ±0.5% or ±0.5°C (0.9°F)
Response Time	150ms
Spectral Response	8~14um
Emissivity	Digitally adjustable from 0.10 to 1.0
Over Range Indication	LCD will show "-----"
Polarity	Automatic (no indication for positive polarity); Minus (-) sign for negative polarity
Diode Laser	Output <1 mW, Wavelength 630~670nm, Class 2 laser product
Operating Temp.	0°C to 50°C (32°F to 122°F)
Storage Temp.	-10°C to 60°C (14°F to 140°F)
Relative Humidity	10% to 90%RH operating, <80%RH storage
Power Supply	2x 1.5V AAA batteries
Safety	"CE" Comply with EMC

Note: Field of View: Make sure that the target is larger than the unit's spot size. The smaller the target, the closer you should be to it. When accuracy is critical, make sure the target is at least twice as large as the spot size.



MAJOR TECH (PTY) LTD

South Africa

🌐 www.major-tech.com

✉ sales@major-tech.com

Australia

🌐 www.majortech.com.au

✉ info@majortech.com.au

